

auto electrical parts

Technical Information Sheet

Part No. 0-534-29

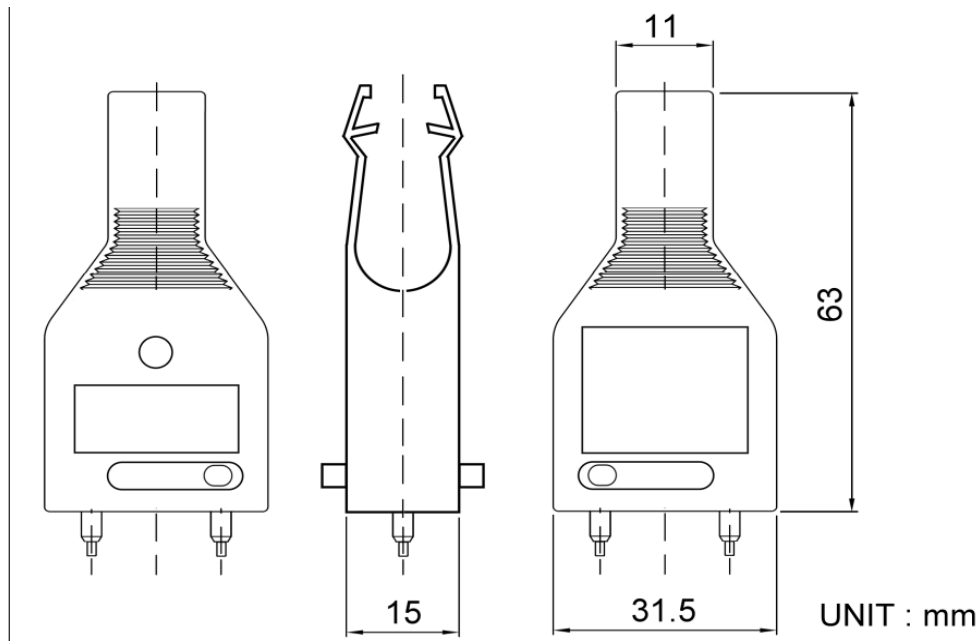
Fuse Tester / Puller

Durite's Fuse Tester Puller is designed to enable you to remove a fuse from a fuse board/box with ease and test the continuity. There is a LED light which will light up green if the fuse is ok. If no continuity is found the LED will not light up. Therefore the fuse is blown and needs replacing.

Note:

There is an internal non-replaceable battery which is guaranteed to last >5years.

Technical Drawing (not to scale)



Specification

Type	Fuse Tester / Puller
Colour	Orange
Material	POM Plastic / Copper
Approvals	RoHS, REACH

The information contained in this document is correct to the best of our knowledge at the time of printing. However, specifications may change at any time without notice.